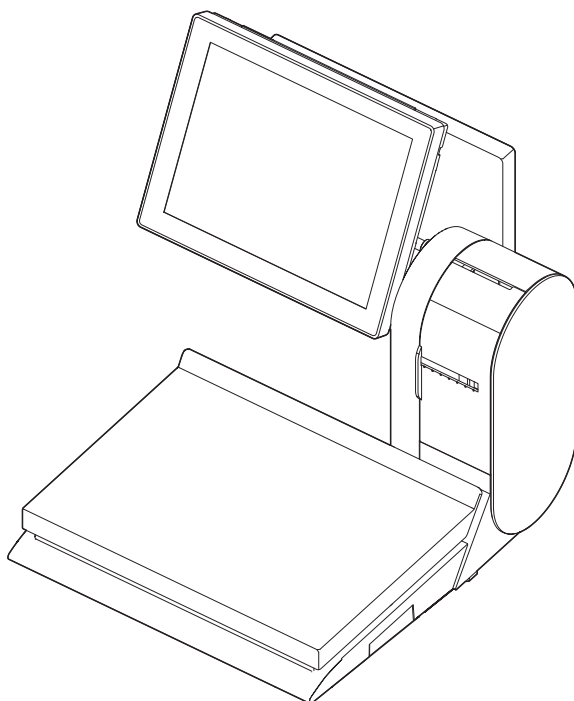
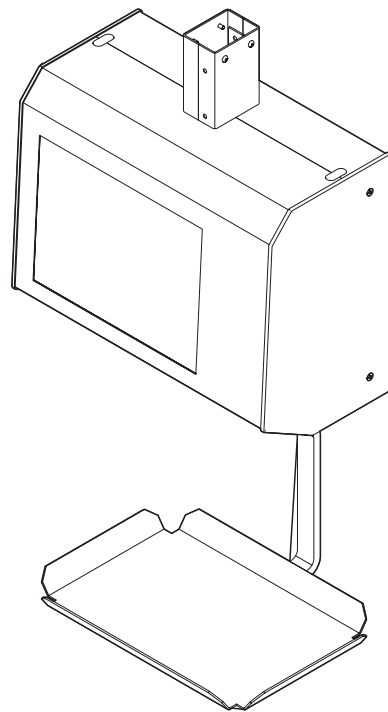
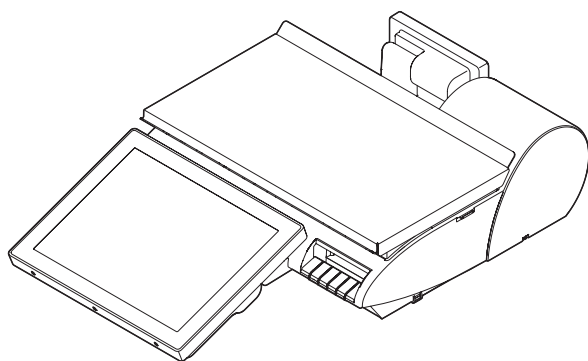


UC series

Retail scales



METTLER TOLEDO

Table of Contents

| | | | |
|----------|--|--|-----------|
| 1 | Introduction | | 3 |
| 1.1 | Your new retail scale | | 3 |
| 1.2 | Conventions and symbols used in this user manual | | 3 |
| 1.3 | Safety instructions | | 4 |
| 1.4 | Maintenance | | 4 |
| 1.5 | Intended use | | 4 |
| 1.6 | Legal for Trade | | 5 |
| 1.6.1 | Sealing | | 5 |
| 1.6.2 | Metrological information | | 5 |
| 1.7 | Device overview | | 6 |
| 1.7.1 | Scale type overview | | 6 |
| 1.7.2 | Compact scale UC-C... overview | | 6 |
| 1.7.3 | Counter scale UC-H... and UC-G... overview | | 8 |
| 1.7.4 | Hanging scale UC-HW... overview | | 11 |
| 2 | Setup | | 13 |
| 2.1 | Levelling the scale | | 13 |
| 2.2 | Connecting peripheral devices and LAN | | 13 |
| 2.2.1 | Switches, ports and connectors | | 13 |
| 2.2.2 | Connecting peripheral devices and LAN | | 14 |
| 2.3 | Connecting to mains power | | 15 |
| 3 | Operation | | 16 |
| 3.1 | Switching on/off | | 16 |
| 3.2 | Zeroing | | 16 |
| 4 | Cleaning and maintenance | | 17 |
| 4.1 | Cleaning housing and display | | 17 |
| 4.2 | Opening the printer door | | 18 |
| 4.2.1 | Compact scale UC-C... | | 18 |
| 4.2.2 | Counter scale UC-H... and UC-G... | | 18 |
| 4.2.3 | Hanging scale UC-HW... | | 19 |
| 4.3 | Unlocking and locking the printhead | | 19 |
| 4.3.1 | Unlocking the printhead (receipt printer) | | 19 |
| 4.3.2 | Unlocking the printhead (all other printer types) | | 20 |
| 4.3.3 | Locking the printhead (receipt printer) | | 20 |
| 4.3.4 | Locking the printhead (all other printer types) | | 21 |
| 4.4 | Cleaning the printhead | | 21 |
| 4.5 | Inserting / changing paper | | 22 |
| 4.5.1 | Important information on thermal paper and thermal labels | | 22 |
| 4.5.2 | Inserting / changing the receipt roll | | 23 |
| 4.5.3 | Inserting / changing the label roll | | 23 |
| 4.5.4 | Inserting / changing the linerless paper roll | | 24 |
| 4.6 | Changing the interchangeable roller in the linerless printer | | 25 |
| 5 | Technical data | | 26 |
| 6 | Appendix | | 27 |
| 6.1 | Dimensional drawings | | 27 |
| 6.1.1 | Compact scale UC-C... | | 27 |
| 6.1.2 | Counter scale UC-H.../UC-G... | | 28 |
| 6.1.3 | Hanging scale UC-HW... | | 29 |
| 6.2 | Disposal | | 30 |
| 6.3 | Table of Geo Code values | | 30 |
| 6.4 | EU Declaration of Conformity | | 31 |

1 Introduction

1.1 Your new retail scale

You have decided to purchase a high-quality system scale from METTLER TOLEDO's UC scale family. Please use this user guide to familiarise yourself with the installation and maintenance of the scale.

The installation, setting up and configuration of this scale is in general carried out by personnel from your METTLER TOLEDO Service (contact address see scale's type plate) or from an organisation authorised by METTLER TOLEDO. During the setting up of your scale, you will also be briefed on its correct handling.



Please contact your METTLER TOLEDO Service or your supplier if you have any further questions or if you require your scale's configuration to be changed.

You have purchased this scale either with the METTLER TOLEDO UC3 application software or with the application software of an independent third party developer.

i When using the scale together with the METTLER TOLEDO UC3 application software, please refer to the separate "User manual UC3 Software" for a full description of the functionality and usage of the UC3 application software.

Otherwise, please refer to your respective application software user manual or contact your supplier.

1.2 Conventions and symbols used in this user manual

| Symbol | Description |
|---|--|
|  | Safety sign that warns the user of situations resulting in death or serious injury, in case of non-compliance with the indicated safety advices. |
|  | Safety sign that warns the user of situations resulting in material damage, in case of non-compliance with the indicated safety advices. |
| i | Information that makes working with the device easier. |
| ▪ | Precondition for an action. |
| - | Individual action that must be carried out. |
| 1 2 | Action sequence that must be carried out in the order stated. |
| ⇒ | Result of an action or an action sequence. |
| [▶ 18] | Cross-reference (example: reference to page 18) |

1.3 Safety instructions

Basic safety instructions

- Read this user manual prior to using your scale.
- Follow this user manual carefully.
- Store this user manual near the scale for future reference.
- Always place the scale in a stable location and make sure that all feet are standing on a firm support base, so that the scale can not tip or fall down.
- **Hanging scale only:** Ensure that only authorised and trained customer service personnel mounts and connects the scale to the mains power, external devices or LAN.
- Do not allow untrained personnel to operate or to clean the scale.
- Do not operate the scale in environments containing explosive mixtures of gases, vapours or powders. Any electrical device that does not include a specific ignition protection category for a potentially explosive area presents a substantial safety risk in that area.
- To avoid accidents, ensure that only authorised and trained customer service personnel opens the scale.
- Always unplug the scale before cleaning and maintenance.

1.4 Maintenance

- Only authorised and trained customer service personnel is allowed to open and repair the scale. Please contact your local representative.

1.5 Intended use

- Use the scale only for weighing in accordance with this user manual and the user manual of the software.
- The scale is intended for indoor use in dry environments only.
- Any other type of use and operation beyond the limits of the technical specifications is considered as not intended.

1.6 Legal for Trade

1.6.1 Sealing

When the scale is used in trade or a legally controlled application, it must be set up, verified and sealed in accordance with local weights and measures regulations. It is the responsibility of the purchaser to ensure that all pertinent legal requirements are met. As verification requirements vary by jurisdiction, the purchaser should contact their local weights and measures office if they are not familiar with the requirements.

To prevent access to calibration and metrological settings, the scale must be sealed using a paper seal or wire seal.

1.6.2 Metrological information

Important notice for verified weighing instruments in EU countries



Weighing instruments, for which conformity is declared (legal verification), bear the preceding mark on the packing label ...



and the metrology marking on the descriptive plate.

They may be put into operation immediately.



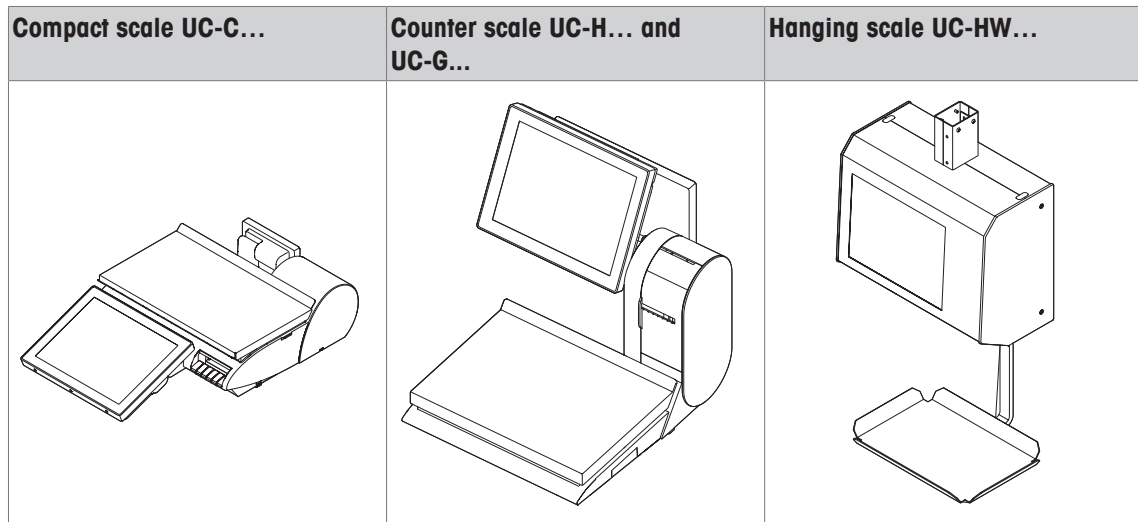
Weighing instruments on which the declaration of conformity is carried out in two steps have no metrology marking on the descriptive plate and bear the preceding identification mark on the packing label. The second step has to be carried out by the authorized METTLER TOLEDO service engineer. Please contact your METTLER TOLEDO service organization.

The first step of the Declaration of Conformity has been carried out at the manufacturing plant. It comprises all tests according to EN 45501-8.3.3. If national regulations in individual countries limit the period of validity of the verification, the users of such a weighing instrument are themselves responsible for its timely re-verification.

1.7 Device overview

1.7.1 Scale type overview

This user manual applies to 3 scale types available in several variants:



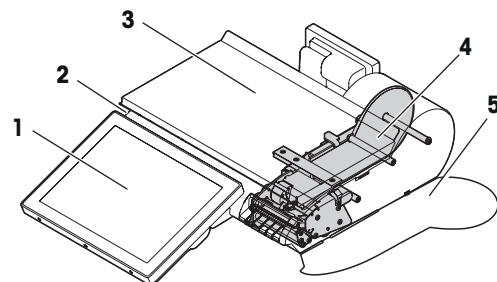
For the three scale types, various printer types are available. Please check which printer configuration applies to your configuration variant.

| Compact scale UC-C... | Counter scale UC-H... and UC-G... | Hanging scale UC-HW... |
|---|--|---|
| <ul style="list-style-type: none"> • Receipt printer • Label printer • Linerless printer | <p>Single printers:</p> <ul style="list-style-type: none"> • Receipt printer • Label printer • Linerless printer <p>Dual printers:</p> <ul style="list-style-type: none"> • Receipt and label printer • Label and linerless printer | <ul style="list-style-type: none"> • Receipt printer • Label printer • Linerless printer |

1.7.2 Compact scale UC-C... overview

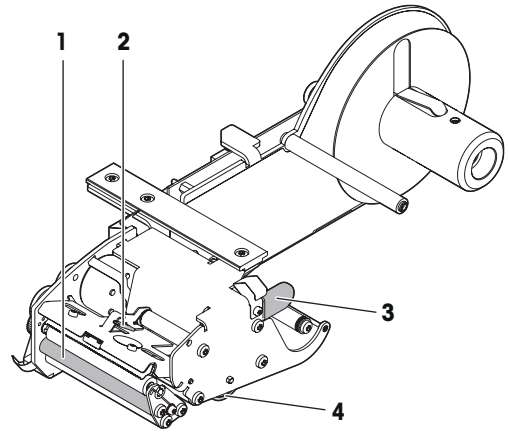
Scale components

1. Touchscreen
2. Switches, ports and connectors (behind touchscreen)
3. Weighing platform
4. Printer (example: Linerless printer)
5. Printer door



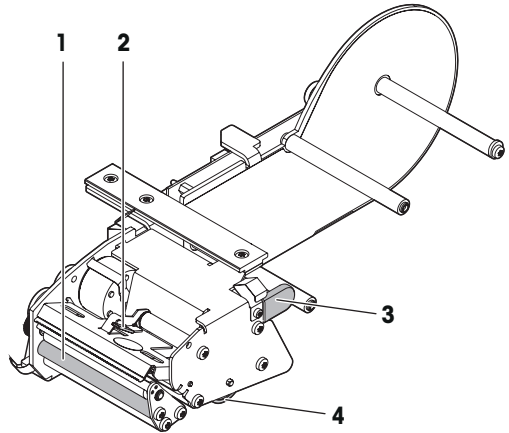
Printer components: Linerless printer

1. Roller
2. Printerhead lock
3. Handle to pull out the printer
4. Paper width adjustment knob



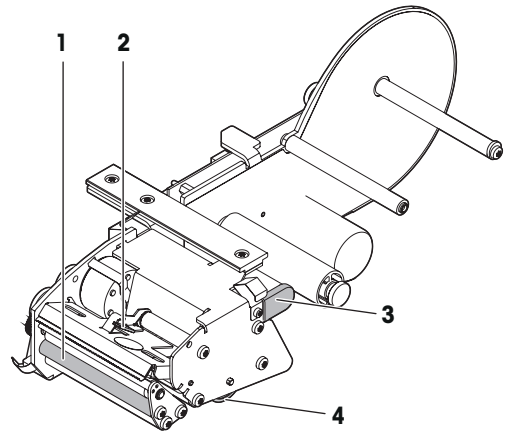
Printer components: Receipt printer

1. Roller
2. Printerhead lock
3. Handle to pull out the printer
4. Paper width adjustment knob



Printer components: Label printer

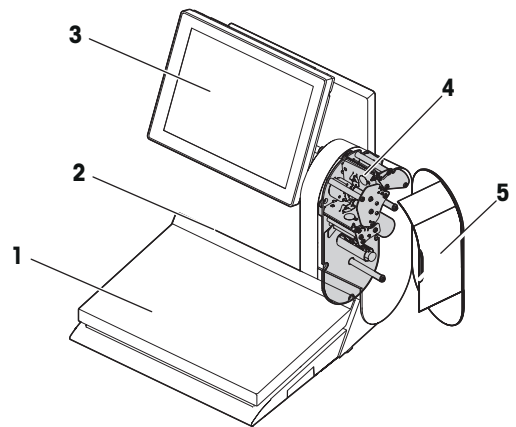
1. Roller
2. Printerhead lock
3. Handle to pull out the printer
4. Paper width adjustment knob



1.7.3 Counter scale UC-H... and UC-G... overview

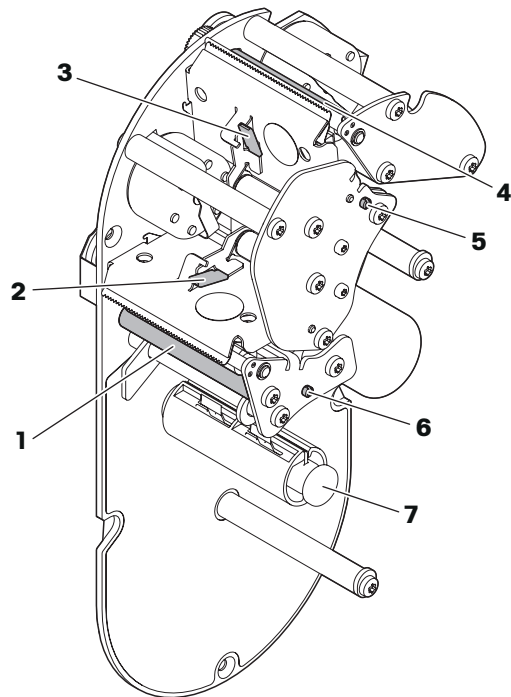
Scale components

1. Weighing platform
2. Switches, ports and connectors (at the rear of the scale)
3. Touchscreen
4. Printer (example: dual printer with receipt and label printer)
5. Printer door



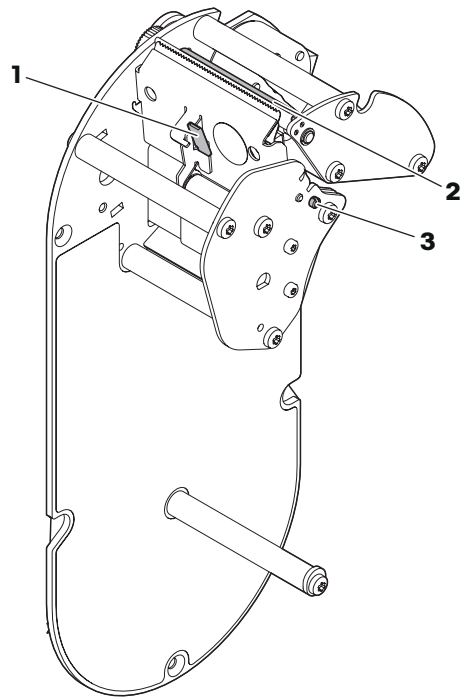
Printer components: Dual printer with receipt and label printer

1. Roller (label printer)
2. Printerhead lock (label printer)
3. Printerhead lock (receipt printer)
4. Roller (receipt printer)
5. Paper width adjustment screw (receipt printer)
6. Paper width adjustment screw (label printer)
7. Take-up spindle for label roll (label printer)



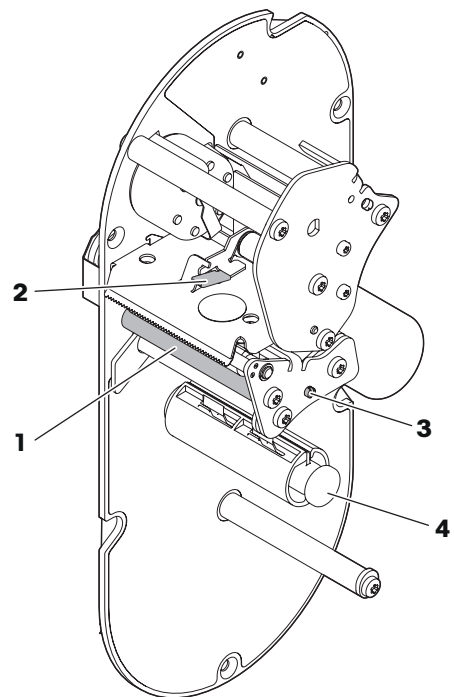
Printer components: Receipt printer

1. Printerhead lock
2. Roller
3. Paper width adjustment screw



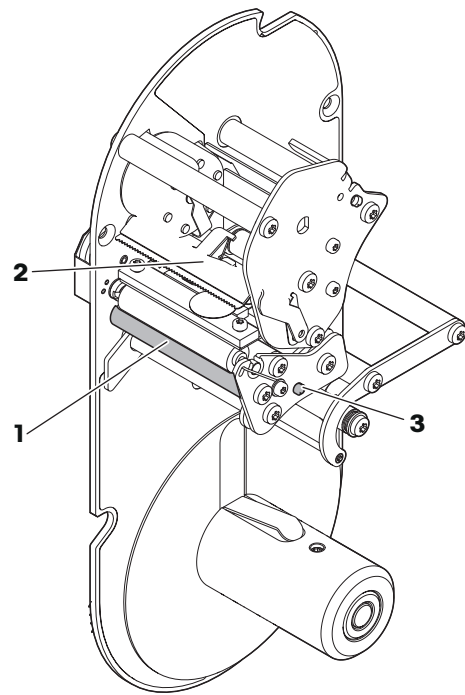
Printer components: Label printer

1. Roller
2. Printerhead lock
3. Paper width adjustment screw
4. Take-up spindle for label roll



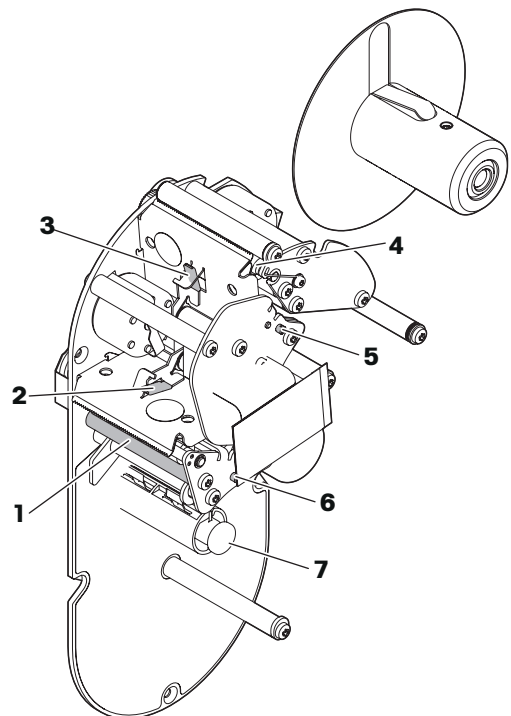
Printer components: Linerless printer

1. Roller
2. Printerhead lock
3. Paper width adjustment screw



Printer components: Dual printer with linerless and label printer

1. Roller (label printer)
2. Printerhead lock (label printer)
3. Printerhead lock (linerless printer)
4. Roller (linerless printer)
5. Paper width adjustment screw (linerless printer)
6. Paper width adjustment screw (label printer)
7. Take-up spindle for label roll (label printer)

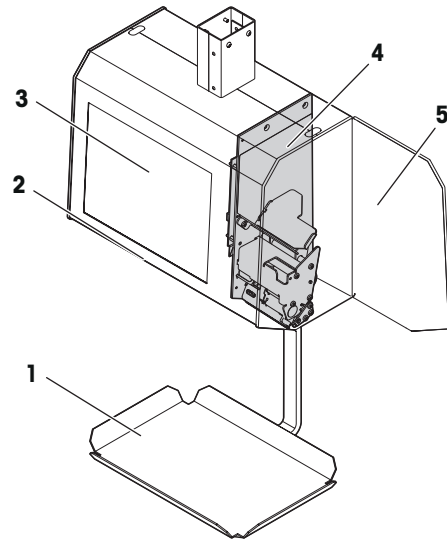


1.7.4 Hanging scale UC-HW... overview

- i** The ports and connectors are located inside the scale.
Ensure that only authorised and trained customer service personnel connects the scale to the mains power, external devices or LAN.

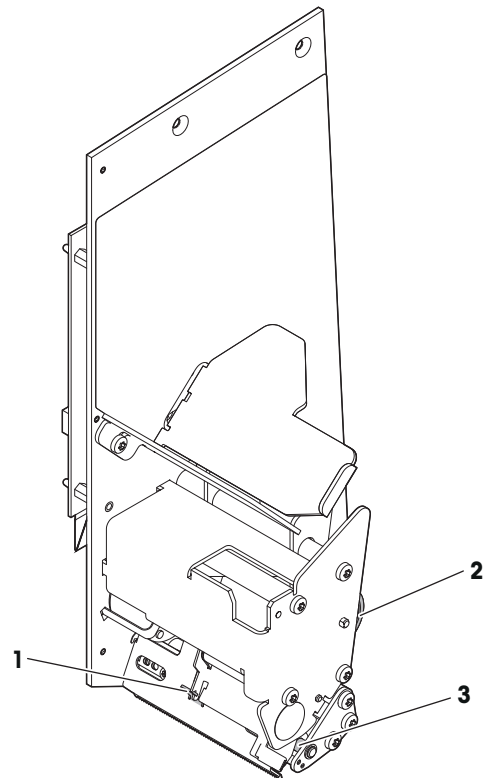
Scale components

1. Weighing platform
2. Power switch (at the bottom of the scale)
3. Touchscreen
4. Printer (example: receipt printer)
5. Printer door



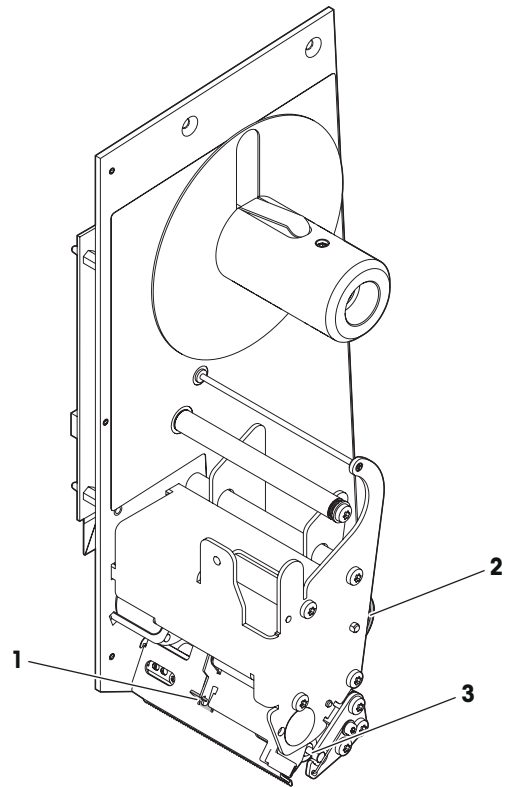
Printer components: Receipt printer

1. Printerhead lock
2. Paper width adjustment knob
3. Roller



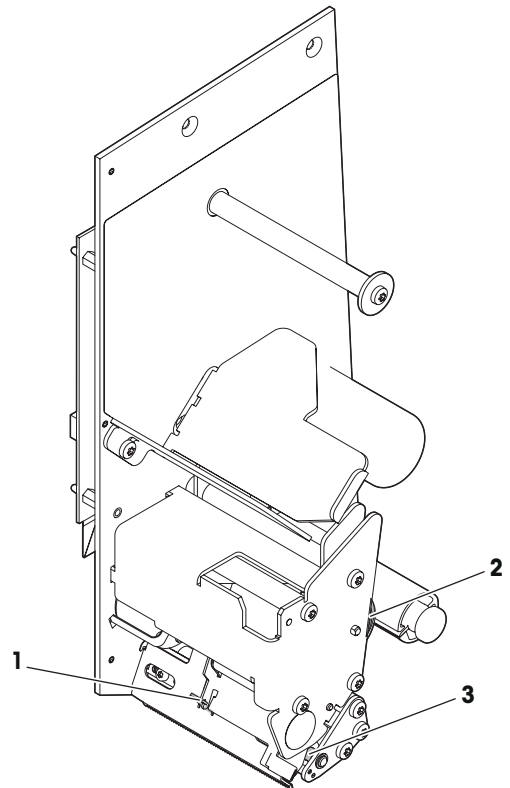
Printer components: Linerless printer

1. Printerhead lock
2. Paper width adjustment knob
3. Roller



Printer components: Label printer

1. Printerhead lock
2. Paper width adjustment knob
3. Roller



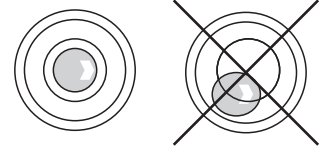
2 Setup

Your scale will usually be part of a networked system. It will be installed, levelled and put into operation either by METTLER TOLEDO or one of our authorised dealers. During the installation, you will receive comprehensive training and all of the associated documentation.

2.1 Levelling the scale

Only a perfectly levelled scale delivers accurate weighing results. The scale is equipped with a level indicator to make it easier to level the scale.

- 1 To level the scale, turn the scale's adjustable feet until the air bubble in the level indicator is positioned in the inner circle.
- 2 Lock the feet by tightening the plastic lock nut on each foot.



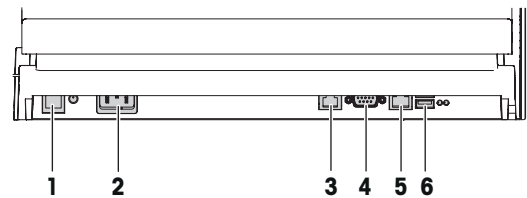
2.2 Connecting peripheral devices and LAN

To connect external peripheral devices, e.g., a cash drawer, a scanner, or to connect to a network the scale offers several ports and connectors.

2.2.1 Switches, ports and connectors

Counter scale and compact scale

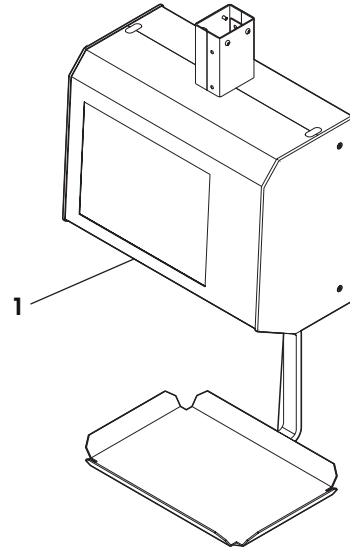
1. Power switch
2. Power connection socket
3. Cash drawer port
4. Serial port (RS-232)
5. Ethernet LAN port (RJ45)
6. USB ports (USB 2.0)



Hanging scale

i The ports and connectors are located inside the scale.
Ensure that only authorised and trained customer service personnel connects the scale to the mains power, external devices or LAN.

1. Power switch



2.2.2 Connecting peripheral devices and LAN



NOTICE

Damage to the device

- Switch off and unplug the device from the mains before connecting external components.

- The scale is switched off (see [Switching on/off ▶ 16]).
 - The scale is disconnected from the power supply.
- 1 Connect the peripheral devices to the respective ports (3, 4, 6).
 - 2 Connect the LAN cable to the Ethernet LAN port (5).
 - 3 Reconnect the scale to the power supply.
 - 4 Switch the scale on again (see [Switching on/off ▶ 16]).

2.3 Connecting to mains power

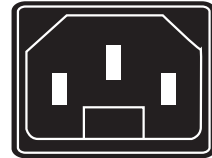


DANGER

Electrical shock hazard

- 1 Before connecting the power supply, check whether the voltage value printed on the label corresponds to your local system voltage.
- 2 Do not, under any circumstances, connect the device if the voltage value on the label deviates from the local system voltage.
- 3 Only connect the device to a properly grounded outlet.
- 4 Only use the power cord supplied with the device.
- 5 Use power outlets which are easily accessible and located no further than the length of the power cord.
- 6 Do not remove or modify the ground prong.
- 7 Do not connect the device to electrical lines that are shared with noise generating equipments, e.g., motors, compressors, heating elements etc. In these cases, use a dedicated power circuit or power line conditioner.

- 1 Connect the supplied power cable to the power connection socket of the scale.
- 2 Plug the power plug into a correctly grounded power outlet.



3 Operation

3.1 Switching on/off

Switching on

- The weighing platform is mounted on the scale.
- The scale is empty.
- Push the power switch.
 - ⇒ After a few moments, the home screen is displayed.

Switching off

- Push the power switch.
 - ⇒ The scale shuts down in a controlled manner.

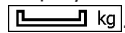


Note that switching off the scale using the power switch does not disconnect the scale from the mains power. To disconnect the scale from the mains you have to disconnect the power cable from the power connection socket or unplug the power plug from the power outlet.

3.2 Zeroing

Zeroing corrects the influence of slight changes on the load plate or minor deviations from the zero point.

Due to soiling on the weighing platform or unfavourable external influences, it is possible that the weight display of an unloaded weighing platform may no longer be 0.000 kg or shows the Underload symbol



. In such cases, the scale must be reset to zero.

For further information on zeroing, refer to the "User manual UC3 Software".

4 Cleaning and maintenance



DANGER

Electrical shock hazard

- Switch off and unplug the device from the mains before performing maintenance work.

4.1 Cleaning housing and display



DANGER

Electrical shock hazard

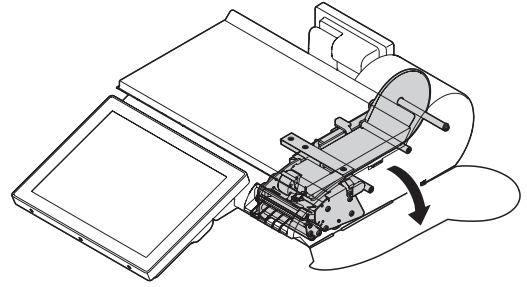
Damage to the device and touchscreen

- 1 Switch off and unplug the device from the mains before cleaning.
 - 2 Do not open the device during cleaning.
 - 3 Make sure that no fluids get inside the device.
 - 4 Do not use organic acid, alkaline solutions, scouring powders or plastic dissolving cleaning agents for cleaning.
 - 5 Avoid strong pressure or scratching the surface with hard, sharp or pointed objects.
-
- 1 To clean the touchscreen, use either a soft cloth with a little screen cleaner, a glasses cleaning cloth or a damp cloth with a glass cleaning agent applied to it.
 - 2 To clean the other exterior components of the scale, use a damp cloth that has been dipped in water containing a mild washing-up liquid permitted for the food industry and has been wrung out well.
 - 3 To remove labels or label residue stuck to the printer door, use the label remover recommended by METTLER TOLEDO or by a METTLER TOLEDO authorised organisation.
 - 4 After cleaning, plug the scale back into the mains and turn it on.

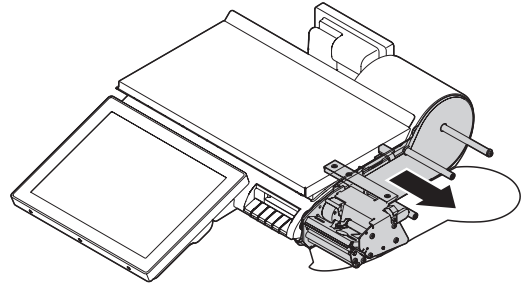
4.2 Opening the printer door

4.2.1 Compact scale UC-C...

- 1 Open the printer door in the direction of the arrow:

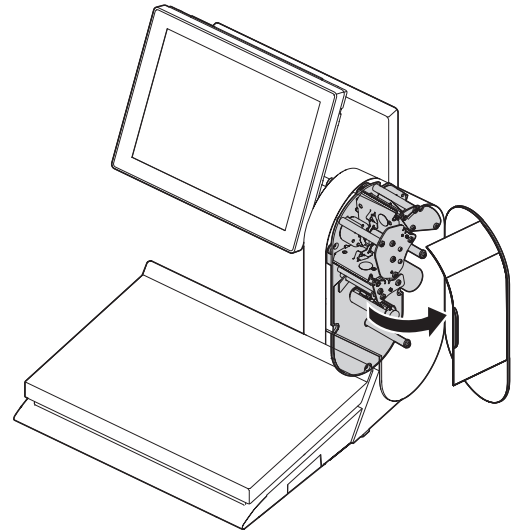


- 2 Pull the printer out of the housing in the direction of the arrow:



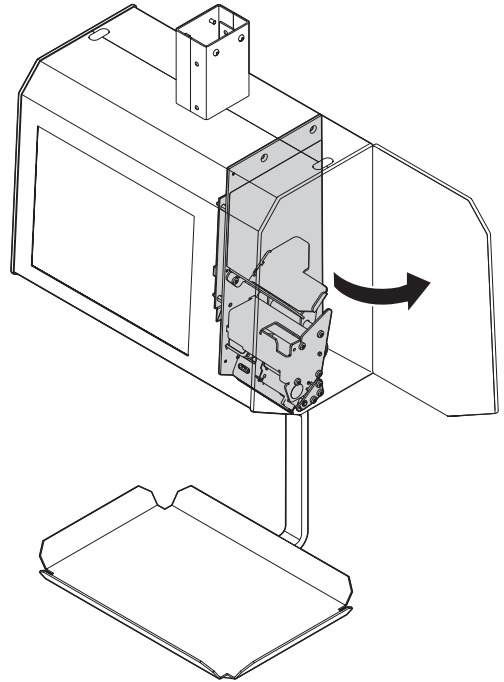
4.2.2 Counter scale UC-H... and UC-G...

- 1 Open the printer door in the direction of the arrow:



4.2.3 Hanging scale UC-HW...

- 1 Open the printer door in the direction of the arrow:



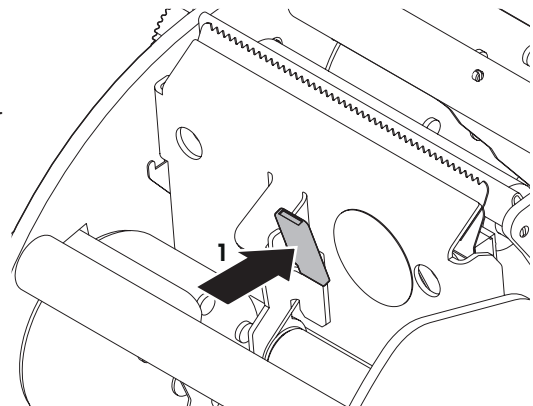
4.3 Unlocking and locking the printhead

For cleaning the printhead and for replacing rolls you have to unlock the printhead.

4.3.1 Unlocking the printhead (receipt printer)

i The following image shows the counter scale UC-H... with receipt printer.
The procedure is identical for all scale types with receipt printers.

- The printer door is opened and, in the case of the compact scale, the printer is pulled out of the housing (see Opening the printer door).
- Unlock the printhead by pressing the release lever on the printer backwards (1):
 - ⇒ The printhead is unlocked.
 - ⇒ You can now clean the printhead or replace rolls.

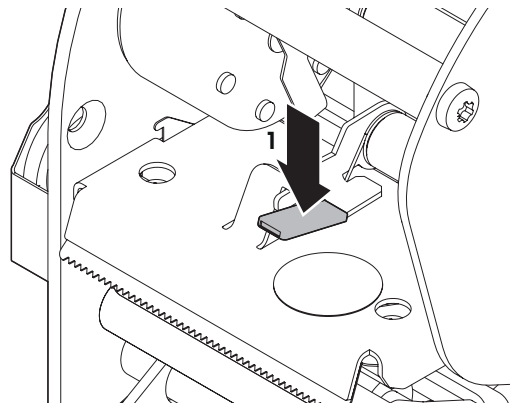


4.3.2 Unlocking the printhead (all other printer types)

i The following image shows the counter scale UC-H... and the dual printer with label and linerless printer.

The procedure is identical for all scales and printer types, except for receipt printers.

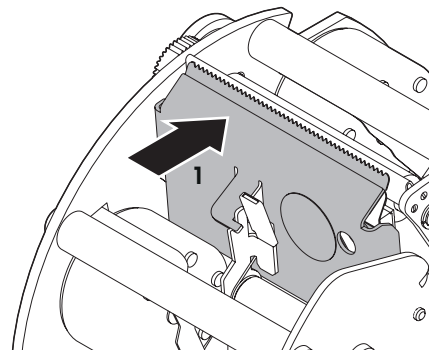
- The printer door is opened and, in the case of the compact scale, the printer is pulled out of the housing (see Opening the printer door).
- Unlock the printhead by pressing the release lever on the printer downwards (1):
- ⇒ The printhead is unlocked.
- ⇒ You can now clean the printhead or replace rolls.



4.3.3 Locking the printhead (receipt printer)

i The following image shows the counter scale UC-H... with receipt printer.
The procedure is identical for all scale types with receipt printers.

- 1 Push the printhead back in place by pressing the printhead upwards (1):



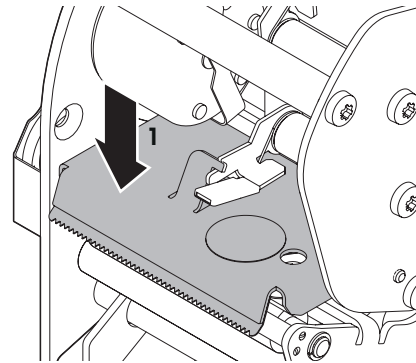
- 2 **Compact scale:** Use the handle to push the printer back into its housing (location, see [Compact scale UC-C... overview ▶ 6]).
- 3 Close the printer door.

4.3.4 Locking the printhead (all other printer types)

i The following image shows the counter scale UC-H... and the dual printer with label and linerless printer.

The procedure is identical for all scales and printer types, except for receipt printers.

- 1 Push the printhead back in place by pressing the printhead downwards (1):



- 2 **Compact scale:** Use the handle to push the printer back into its housing (location, see [Compact scale UC-C... overview ▶ 6]).
- 3 Close the printer door.

4.4 Cleaning the printhead



NOTICE

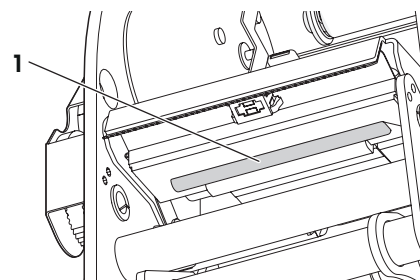
Damage to the printhead due to cleaning the printhead with other objects than the supplied cleaning pen

- To clean the printhead, only use the cleaning pen supplied with the scale.

i The following image shows the counter scale UC-H... and the dual printer with label and linerless printer.

The procedure is identical for all printers.

- 1 Unlock the printhead (see Unlocking and locking the printhead).
- 2 Remove the cap from the cleaning pen.
- 3 Clean the front of the printhead (1) with the moist tip of the cleaning pen.



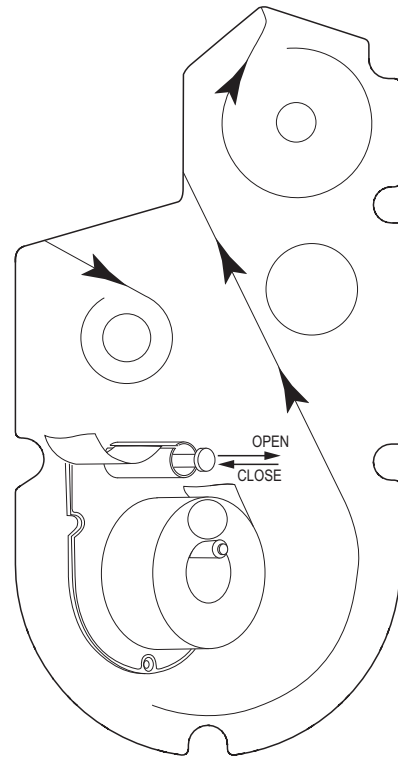
- 4 Replace the cap on the cleaning pen.
- 5 Lock the printhead (see Unlocking and locking the printhead).

4.5 Inserting / changing paper

The paper transfer path / paper guide within the printer depends on the printer configuration of your device (see [Device overview ▶ 6]).

To facilitate paper change, your scale is equipped with a diagram printed on the back cover of the printer, illustrating the paper transfer path within your particular printer variant.

Example: Counter scale with dual printer (receipt roll/label roll)



4.5.1 Important information on thermal paper and thermal labels

The printer used in UC retail scales is a thermal one. Only use thermal paper, thermal label paper or linerless paper in this printer. METTLER TOLEDO has approved these paper types (e.g. L1-21, L1-31 for receipt printers; P3-20, P3-011 for label printers and P5-23, P5-24 for linerless printers). The paper is also approved for use in UC retail scales by the respective weights and measures authority.



NOTICE

Reduction of printerhead service life and print quality and voiding of the thermal printer warranty due to usage of thermal paper or thermal labels other than mentioned above

Use only the thermal paper or thermal label paper mentioned above. Otherwise, we accept no guarantee for the thermal printer.

4.5.2 Inserting / changing the receipt roll

i Whether this section applies to your device depends on the printer variants in your scale.
For an overview of the printer components, refer to Device overview.


- The printhead is unlocked (see [Unlocking the printhead (receipt printer) ▶ 19]).
- 1 Remove the empty sleeve of the used roll.
 - 2 Insert the new receipt roll according to the diagram printed on the back cover of the printer. Note that the paper start is on the left side.
 - 3 Pull the paper forward and make sure that there are no loops, bows or creases.
 - 4 Lock the printhead (see [Locking the printhead (receipt printer) ▶ 20]).
 - 5 Tear off the excess paper.

i Depending on your scale type, the paper width is adjusted either with an adjustment knob (compact scale, hanging scale) or with adjustment screws (counter scale).

For information on the location of the adjustment components, refer to Device overview.

4.5.3 Inserting / changing the label roll


i Whether this section applies to your device depends on the printer variants in your scale.
For an overview of the printer components, refer to Device overview.


- The printhead is unlocked (see [Unlocking the printhead (all other printer types) ▶ 20]).
- 1 Remove the empty sleeve of the used roll.
 - 2 Pull out the green take-up spindle (example, see [Counter scale UC-H... and UC-G... overview ▶ 8], dual printer with receipt and label printer) and remove the liner paper.
 - 3 Insert the new label roll according to the diagram printed on the back cover of the printer. Note that the paper start is on the left side.
 - 4 Insert the liner paper into the take-up spindle and push the spindle in.
 - 5 Lock the printhead (see [Locking the printhead (all other printer types) ▶ 21]).
 - 6 Press the paper feed button: 


i Depending on your scale type, the paper width is adjusted either with an adjustment knob (compact scale, hanging scale) or with adjustment screws (counter scale).

For information on the location of the adjustment components, refer to Device overview.

4.5.4 Inserting / changing the linerless paper roll

 Whether this section applies to your device depends on the printer variants in your scale.
For an overview of the printer components, refer to Device overview.

- The printhead is unlocked (see [Unlocking the printhead (all other printer types) ▶ 20]).
- 1 Remove the empty sleeve of the used roll.
 - 2 Insert the new roll according to the diagram printed on the back cover of the printer. Note that the paper start is on the left side.
 - 3 Pull the paper forward and make sure that there are no loops, bows or creases.
 - 4 Lock the printhead (see [Locking the printhead (all other printer types) ▶ 21]).
 - 5 Press the paper feed button: 

 Depending on your scale type, the paper width is adjusted either with an adjustment knob (compact scale, hanging scale) or with adjustment screws (counter scale).

For information on the location of the adjustment components, refer to Device overview.

4.6 Changing the interchangeable roller in the linerless printer

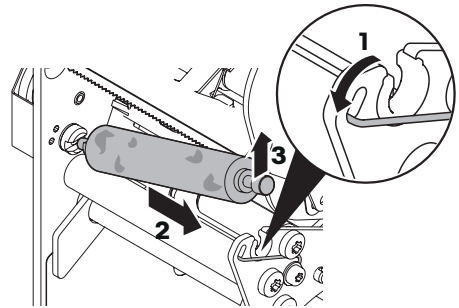
i The following images show the counter scale UC-H... and the dual printer with label and linerless printer.

The procedure is identical for all scales with linerless printers.

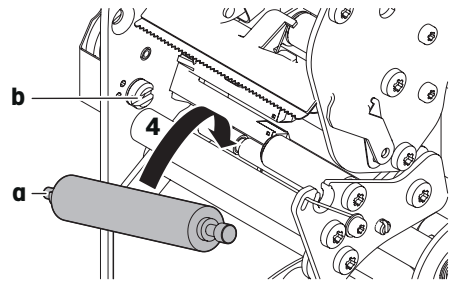
- 1 Unlock the printhead (see [Unlocking the printhead (all other printer types) ▶ 20]).
- 2 Remove the linerless paper roll from the roller.
- 3 Hold the roller and press the spring downwards (1).

The roller is released.

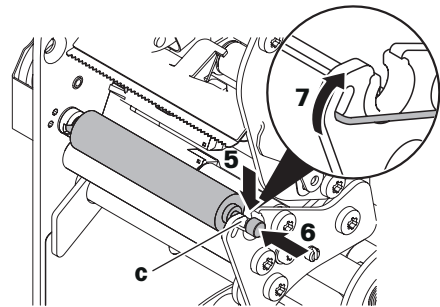
- 4 Pull the roller in the direction of the arrow (2).
- 5 Remove the roller at a slight angle from the bracket opening and lift it out of the printer (3).



- 6 Hold the new roller at a slight angle, as shown.
- 7 Set the roller into the printer (4) and ensure that the stud (a) is inserted into the drive assembly (b).



- 8 Push the roller down (5) into the bracket opening (c).
 - 9 Push the roller in the direction of the arrow (6).
 - 10 Press the spring upwards (7).
- The roller is locked in place.



- 11 Lock the printhead (see [Locking the printhead (all other printer types) ▶ 21]).

5 Technical data

| | Compact scale UC-C... | Counter scale UC-H... and UC-G... | Hanging scale UC-HW... |
|--|---|---|--|
| Dimensions | | | |
| Width x depth x height | See dimensional drawing, [Compact scale UC-C... ▶ 27] | See dimensional drawing, [Counter scale UC-H.../UC-G... ▶ 28] | See dimensional drawing, [Hanging scale UC-HW... ▶ 29] |
| Weight | 15 kg | 17 kg | 19 kg |
| Ambient conditions | | | |
| Operating temperature range | -10°C to +40°C (14°F to 104°F) | | |
| Storage temperature | -10°C to +50°C (14°F to 122°F) | | |
| Humidity | 85% RH, non-condensating | | |
| IP protection rate | IP21 | | |
| Electrical data | | | |
| Mains connection | 100 to 240 VAC, 50 to 60 Hz, 1.1 A current | | |
| Power consumption (typical)* | 30 W | 32 W | 32 W |
| Power consumption (stand-by typical)** | 1.2 W | 1.2 W | 1.2 W |

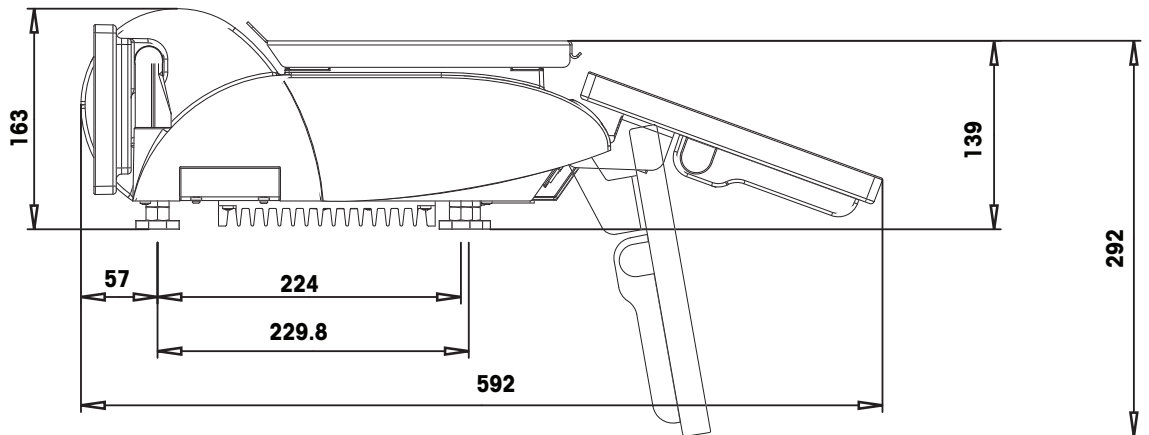
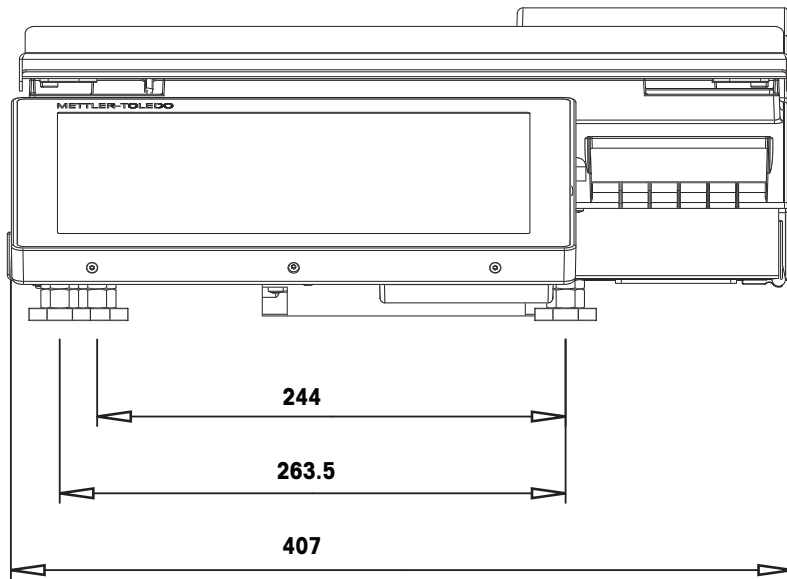
* non-printing, depending on hardware and software-configuration

** depending on hardware and software-configuration

6 Appendix

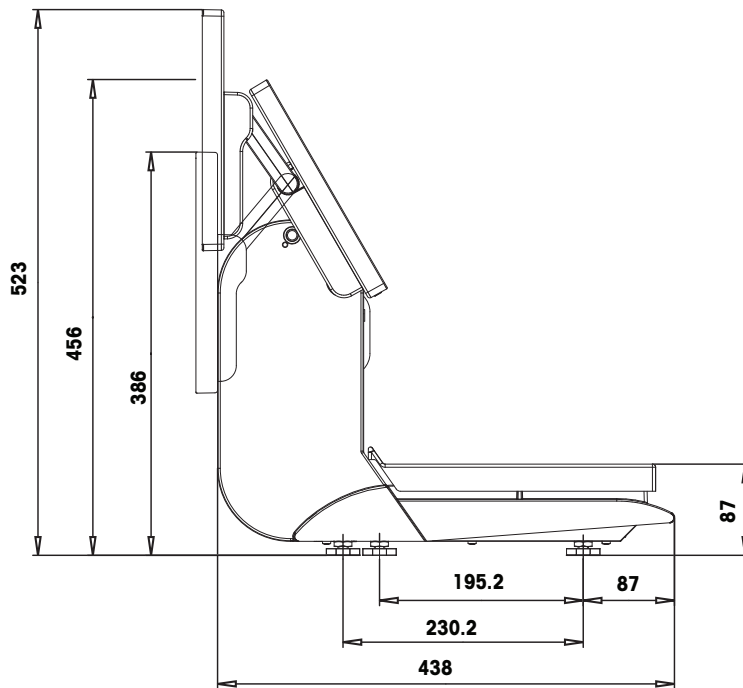
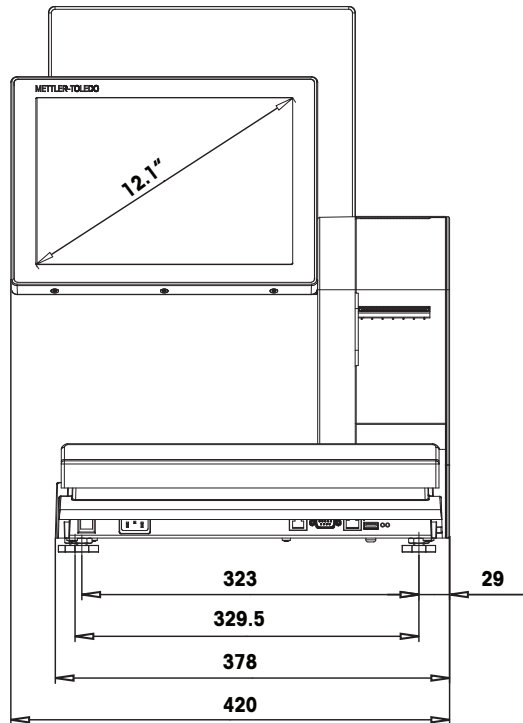
6.1 Dimensional drawings

6.1.1 Compact scale UC-C...



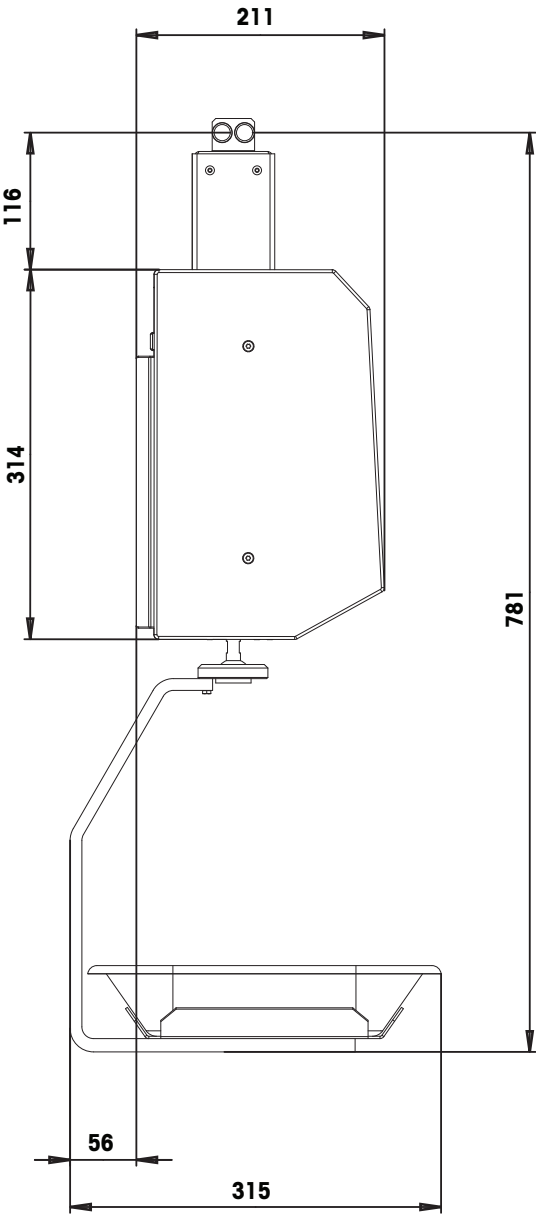
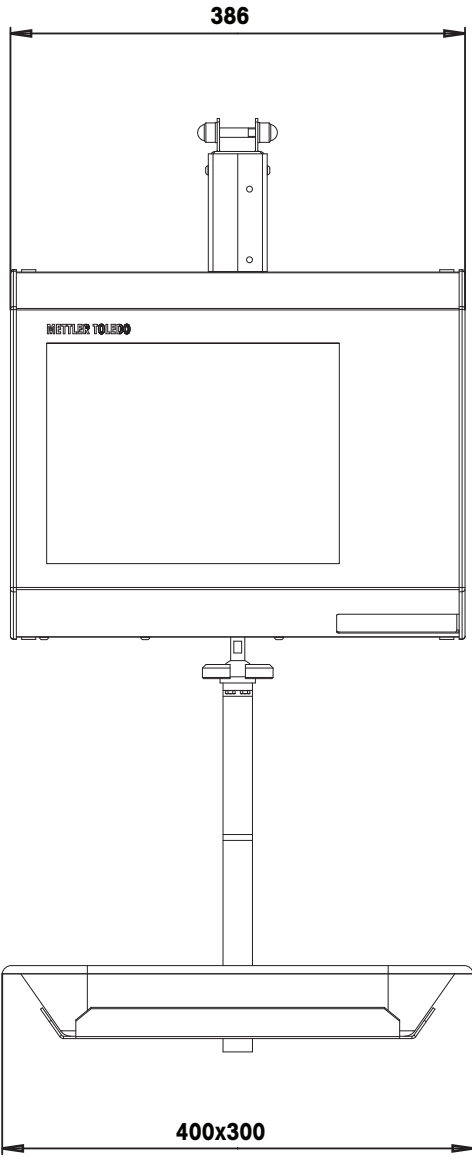
Dimensions in mm

6.1.2 Counter scale UC-H.../UC-G...



Dimensions in mm

6.1.3 Hanging scale UC-HW...



Dimensions in mm

6.2 Disposal

In accordance with the requirements of European Directive 2002/96/EC on Waste Electrical and Electronic Equipment (WEEE), this device may not be disposed of with domestic refuse. This also applies for countries outside the EU in accordance with their respective national regulations.



- Please dispose of this product in accordance with local regulations for the separate collection of waste electrical and electronic equipment.

Should you have any questions, please contact the corresponding authorities or the dealer from whom this device was purchased.

If this device is passed on (for example for further private or commercial/industrial use), this regulation is also to be passed on.

Many thanks for your contribution to the protection of the environment.

6.3 Table of Geo Code values

For weighing instruments verified at the manufacturer's, the Geo Code value indicates the country or geographical zone for which the instrument is verified. If the scale is moved to a new place of use / installation site beyond the specified intended purpose, the scale needs to be checked and re-calibrated, if necessary.

Geo Code values, OIML Class III (European Countries)

| Country | Geo Code | Country | Geo Code |
|----------|----------|----------------|----------|
| Austria | 18 | Liechtenstein | 18 |
| Belgium | 21 | Lithuania | 22 |
| Bulgaria | 16 | Luxemburg | 20 |
| Croatia | 18 | Netherlands | 21 |
| Czechia | 20 | Norway | 24 |
| Denmark | 23 | | 24-26* |
| Estonia | 24 | Poland | 21 |
| Finland | 25 | Portugal | 15 |
| | 24-27* | Romania | 18 |
| France | 19 | Slovakia | 19 |
| | 16-20* | Slovenia | 18 |
| Germany | 20 | Spain | 15 |
| Greece | 15 | Sweden | 24 |
| Hungary | 19 | | 23-28* |
| Iceland | 26 | Switzerland | 18 |
| Ireland | 22 | | 16-19* |
| Italy | 17 | Turkey | 16 |
| | 14-18* | United Kingdom | 21 |
| Latvia | 23 | | 20-23* |

* Admissible values depend on local legal regulations or on the respective geographical situation

6.4 EU Declaration of Conformity

Model / Type UC-...
Starting from serial number: B602900000

Mettler-Toledo (Albstadt) GmbH
Unter dem Malesfelsen 34
D-72458 Albstadt, Germany

This declaration of conformity is issued under the sole responsibility of the manufacturer.

The object of the declaration described above is in conformity with the following documents:

| Marking | EU Directive (Official Journal, Year, Volume, Page) | Standard / Norm |
|---------------------------------------|--|---|
| CE | Low Voltage Directive 2014/35/EU (OJEU, 2014, L96, p357) | EN 60950-1:2011 |
| | EMC Directive 2014/30/EU (OJEU, 2014, L96, p79) | EN 61000-6-1:2005 EN 61000-6-3:2006 |
| | RoHS Directive 2011/65/EU (OJEU, 2011, L174, p88) | EN 50581:2012 |
| CE MXX ⁽¹⁾ ₁₂₅₉ | Non-automatic Weighing Instruments 2014/31/EU (OJEU, 2014, L96, p107) | EN 45501:2015 |
| CE! | Radio and Telecommunications Terminal Equipment Directives 1999/5/EG (OJEU, 1999, L91, p10-28) | See details in the enclosed Declaration of Conformity by the WLAN adapter manufacturer |

(1) XX = Year of affixing CE mark

1259 Federal Institute of Metrology, Lindenweg 50, CH-3003 Berne-Wabern, Notified Body No. 1259

Albstadt, January 2016



Christoph Dermond
Head of SBU
General Manager
Mettler-Toledo (Albstadt) GmbH

To protect your product's future:
METTLER TOLEDO Service assures
the quality, measuring accuracy and
preservation of value of this product
for years to come.

Please request full details about our
attractive terms of service.

www.mt.com/service

For more information

Mettler-Toledo (Albstadt) GmbH

Unter dem Malesfelsen 34
D-72458 Albstadt, Germany
Tel. +49 7431-14 0
Fax +49 7431-14 232
www.mt.com

Subject to technical changes.
© Mettler-Toledo (Albstadt) GmbH 02/2016
30277982B en

